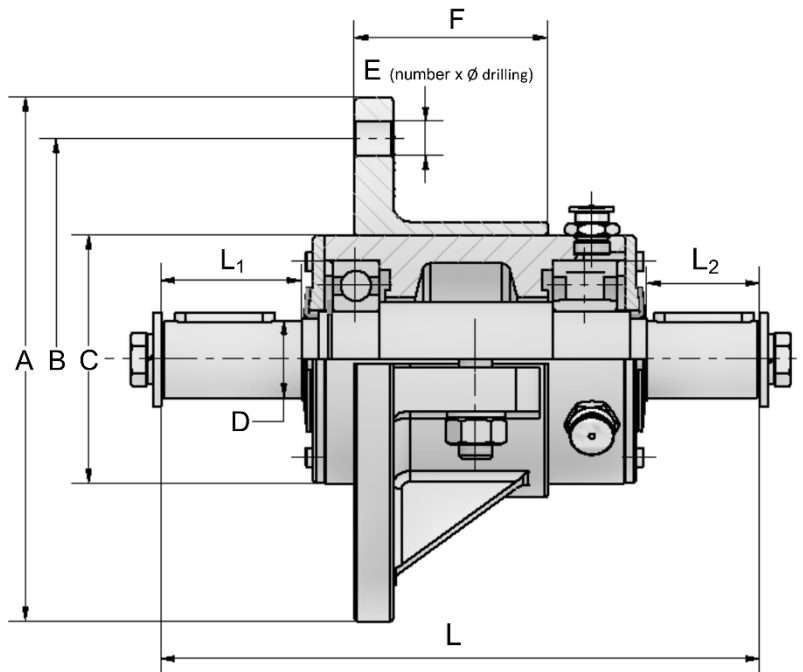


Technical Datasheet

Flange Double Bearing 399 T N

- × Relubricated roller bearings, thus extremely long service life
- × Axial fine adjustment of the fan wheel possible
- × Modular installation unit, special dimensions possible
- × Operating temperature up to 110° C
- × With V-ring seal for use in damp rooms or in case of dust



Description		Rolling Bearings		D [mm]	L [mm]	L ₁ [mm]	L ₂ [mm]	A [mm]	B [mm]	C [mm]	E [mm]	F [mm]	mass [kg]
Typ	Article-No.												
399 T 20 N	740 010	6205	NU 2205	18	190	37,5	42,5	130	110	70	6 x 10,5	50	3,5
399 T 25 N	740 011	6205	NU 2205	22	190	37,5	42,5	130	110	70	6 x 10,5	50	3,5
399 T 30 N	740 012	6207	NU 2207	28	217	51	41	190	160	90	6 x 12,5	70	8,0
399 T 40 N	740 013	6209	NU 2209	35	265	66	46	225	190	105	6 x 12,5	90	14,0
399 T 50 N	740 014	6211	NU 2211	45	325	75	75	300	265	125	6 x 12,5	100	26,0
399 T 60 N	740 015	6312	NU 312	55	400	90	90	350	310	150	6 x 12,5	150	46,0
399 T 75 N	920 397	6215	NU 2215	65	430	100	90	350	310	150	6 x 12,5	150	52,0