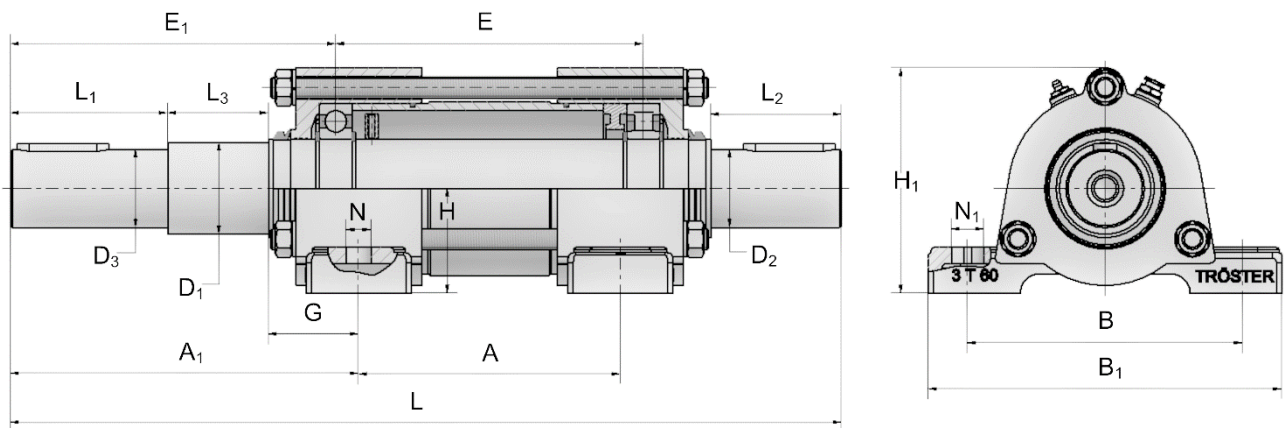


Technical Datasheet

Block Bearing 31 / 33 T xx L

- × Horizontal and vertical arrangement possible
- × Diameter and length of the pins and dimension A freely selectable
- × Design of the bearing according to specific load, all rolling bearing combinations can be realized
- × V-ring seal



All dimensions not listed in the table are freely selectable!

Size of Block Bearing	Rolling Bearings	G [mm]	∅ Bearing seat [mm]	B [mm]	B ₁ [mm]	H [mm]	H ₁ [mm]	N [mm]	N ₁ [mm]
31 / 33 T 30 L	6207 NU 207	45	35	130	170	50	104	∅ 14	-
31 / 33 T 40 L	6210 NU 210	53	50	150	190	60	130	∅ 14	-
31 / 33 T 50 L	6212 NU 212	59	60	170	210	70	148	∅ 15	-
31 / 33 T 60 L	6215 NU 215	69	75	210	270	80	172	19	25
31 / 33 T 70 L	6217 NU 217	76	85	230	290	95	198	23	30
31 / 33 T 80 L	6219 NU 219	78	95	260	320	112	235	23	30
31 / 33 T 90 L	6221 NU 221	83	105	290	350	112	248	23	30
31 / 33 T 100 L	6224 NU 224	97	120	320	400	130	279	23	30
31 / 33 T 130 L	6228 NU 228	115	140	420	500	150	331	∅ 34	-